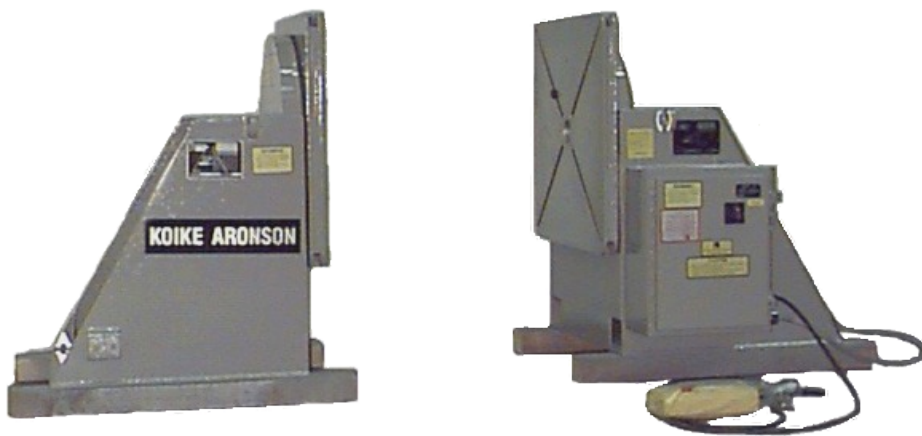


# ARONSON Series

## Fixed Height 2.5 ton to 10 ton Capacity



Koike Aronson / Ransome manufactures Head and Tailstock Positioners with a wide range of capacities and options. These units are a strong and simple solution for the rotation of long elliptical work pieces. When used together, they require much less floor space than a Gear Driven Positioner of similar capacity.

Head and Tailstock Positioners can be used like a lathe to maintain rotation around the horizontal axis. High quality positioned welds can be performed while saving production and handling costs. Depending on the industrial application these Positioners may be mounted on fixed bases, manually adjustable bases or powered bases.

**Capacities from 5,000 to 20,000 pounds  
between Headstock and Tailstock**

### Features

- Piloted tables for centering loads
- NEMA 12 Electricals
- Full length table slots
- Chassis mounted weld current grounding blocks
- Low voltage hand control pendants
- 50:1 Variable speed drives
- AC brake motors



**Standard hand pendant  
provided with all models**

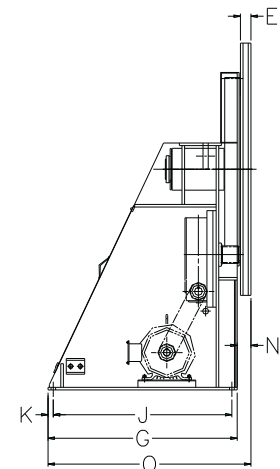
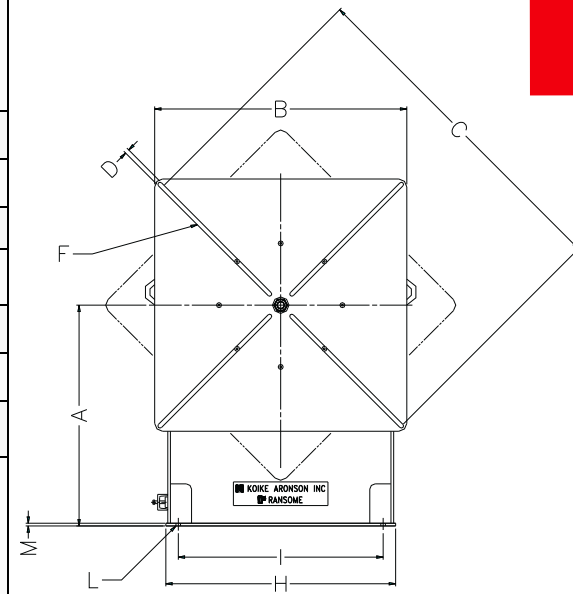


**Optional foot switch  
controls available**

# Specifications

## HTS 5 to HTS 20

| MODEL   | HTS5                       | HTS9                       | HTS12               | HTS20               |
|---|----------------------------|----------------------------|---------------------|---------------------|
| <b>Load Capacity, lb (kg)</b><br>Max. Between Head & Tail | 5,000 lb (2268)            | 9,000 lb (4082)            | 12,000 lb (5443)    | 20,000 lb (9072)    |
| <b>Overhung load</b> 6" CG Height                         | 2,500 (1134)               | 4,500 (2041)               | 6,000 (2721)        | 10,000 (4536)       |
| <b>on either or both</b> 12" CG Height                    | 1,500 (680)                | 2,700 (1225)               | 6,000 (2721)        | 10,000 (4536)       |
| <b>Head or Tailstock</b> 18" CG Height                    | 1,100 (499)                | 2,000 (907)                | 4,400 (1996)        | 7,350 (3334)        |
| 24" CG Height   | 850 (386)                  | 1,550 (703)                | 3,450 (1565)        | 5,850 (2653)        |
| 30" CG Height   | 700 (317)                  | 1,300 (590)                | 2,850 (1293)        | 4,850 (2200)        |
| 36" CG Height   | 600 (272)                  | 1,100 (499)                | 2,400 (1089)        | 4,100 (1860)        |
| 42" CG Height   | 500 (227)                  | 950 (431)                  | 2,100 (952)         | 3,600 (1633)        |
| 48" CG Height   | 450 (204)                  | 871 (395)                  | 1,850 (839)         | 3,200 (1451)        |
| 54" CG Height   | 400 (181)                  | 783 (355)                  | 1,650 (748)         | 2,850 (1293)        |
| 60" CG Height   | 350 (159)                  | 711 (323)                  | 1,500 (680)         | 2,600 (1179)        |
| 72" CG Height   | 300 (136)                  | 651 (296)                  | 1,250 (567)         | 2,200 (998)         |
| <b>Tailstock model</b>                                    | <b>TS 2</b>                | <b>TS 4</b>                | <b>TS 6</b>         | <b>TS 10</b>        |
| <b>Headstock model</b>                                    | <b>HS 2VF</b>              | <b>HS 4VF</b>              | <b>HS 6VF</b>       | <b>HS 10VF</b>      |
| Rotation: Torque, in-lb (N.m)                             | 30,000 (3390)              | 54,000 (6102)              | 72,000 (8136)       | 120,000 (13560)     |
| Rotation: Speed Range<br>Motor HP (AC variable Frequency) | 1.13 - 0.02 rpm<br>1-1/2   | 1.2 - 0.02 rpm<br>3        | 1.3 - 0.03 rpm<br>3 | 1.0 - 0.02 rpm<br>5 |
| Pendant cable length                                      | 20'                        | 20'                        | 20'                 | 20'                 |
| Ground current (Amps)                                     | 1500                       | 1500                       | 2000                | 2000                |
| A: Rotation centerline height<br>Matching Positioner      | 27-3/4" (705)<br>HD25-HD45 | 27-3/4" (705)<br>HD25-HD45 | 36" (914)<br>HD60   | 36" (914)<br>HD100  |
| B: Table Size (Square)                                    | 30"(762)                   | 30"(762)                   | 48"(1219)           | 48"(1219)           |
| C: Max. Clamping Dia.                                     | 38-1/2" (978)              | 38-1/2" (978)              | 64" (1626)          | 64" (1626)          |
| D: No. of slots and width                                 | (4) 13/16" (21)            | (4) 13/16" (21)            | (4) 13/16" (21)     | (4) 13/16" (21)     |
| E: Table Thickness  | 1-3/4" (44)                | 1-3/4" (44)                | 2" (51)             | 2" (51)             |
| Pilot hole and Depth                                      | 3.130" x 1/2"              | 3.130" x 1/2"              | 3.130" x 1/2"       | 3.130" x 1/2"       |
| Thru-hole   | none                       | none                       | none                | none                |
| F: Table nut thread                                       | 3/4"-10                    | 3/4"-10                    | 3/4"-10             | 3/4"-10             |
| Dim G   | 30" (762)                  | 30" (762)                  | 36" (914)           | 36" (914)           |
| Dim H   | 30-3/4" (781)              | 30-3/4" (781)              | 43" (1092)          | 43-3/4" (1111)      |
| Dim I   | 27" (686)                  | 27" (686)                  | 39" (991)           | 39" (991)           |
| Dim J   | 27" (686)                  | 27" (686)                  | 34" (864)           | 34" (864)           |
| Dim K   | 1-1/2" (38)                | 1-1/2" (38)                | 1" (25)             | 1" (25)             |
| Dim L   | 13/16" (20.6)              | 13/16" (20.6)              | 7/8" (22)           | 7/8" (22)           |
| Dim M   | 3/8" (9)                   | 3/8" (9)                   | 1/2" (13)           | 1/2" (13)           |
| Dim N   | 2" (51)                    | 2" (51)                    | 2-1/2" (63)         | 2-1/2" (63)         |
| Dim O   | 32" (813)                  | 32" (813)                  | 38-1/2" (978)       | 38-1/2" (978)       |
| Approx. Weight HS lb (Kg)                                 | 1,210 (549)                | 1,270 (576)                | 2,650 (1202)        | 3,250 (1474)        |
| Approx. Weight TS lb (kg)                                 | 950 (431)                  | 1,015 (460)                | 2,354 (1068)        | 2,605 (1182)        |
| Standard Voltage  | 460/3/60                   | 460/3/60                   | 460/3/60            | 460/3/60            |



All dimensions are for reference only and subject to change without notice.

# ARONSON Series

## Fixed Height 16 ton to 120 ton Capacity



Koike Aronson / Ransome manufactures Head and Tailstock Positioners with a wide range of capacities and options. These units are a strong and simple solution for the rotation of long elliptical work pieces. When used together, they require much less floor space than a Gear Driven Positioner of similar capacity.

Head and Tailstock Positioners can be used like a lathe to maintain rotation around the horizontal axis. High quality positioned welds can be performed while saving production and handling costs. Depending on the industrial application these Positioners may be mounted on fixed bases, manually adjustable bases or powered bases.

**Capacities from 32,000 to 240,000 pounds  
between Head and Tailstock**



**KOIKE ARONSON, INC. / RANSOME**

## Features

- Piloted tables for centering loads
- NEMA 12 Electricals
- Full length table slots
- Chassis mounted weld current grounding blocks
- Low voltage hand control pendants
- 50:1 Variable speed drives
- AC brake motors



**Standard hand pendant  
provided with all models**

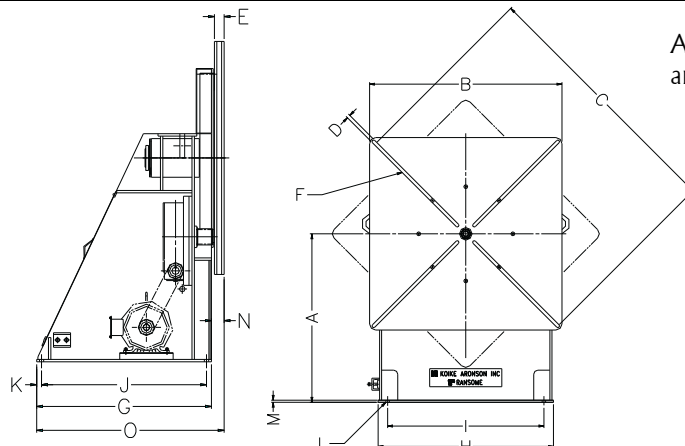


**Optional foot switch  
controls available**

# Specifications

## HTS 32 to HTS 240

| MODEL   | HTS32  | HTS40   | HTS50  | HTS60   | HTS90  | HTS160   | HTS240  |
|---|--|---|--|---|--|--|---|
| <b>Load Capacity, lb (kg)</b><br>Max. Between Head & Tail   | 32,000 lb (14515)                              | 40,000 lb (18144)                               | 50,000 lb (22680)                                | 60,000 lb (27215)                                 | 90,000 lb (40823)                                  | 160,000 lb (72575)                                 | 240,000 lb (108862)                                 |
| <b>Overhung load</b> 12" CG Height<br>on either or both 18" CG Height<br><b>Head or Tailstock</b> 24" CG Height | 16,000 (7257)<br>12,000 (5443)<br>9,600 (4354) | 20,000 (9072)<br>15,000 (6804)<br>12,000 (5443) | 25,000 (11340)<br>18,900 (8573)<br>15,200 (6895) | 30,000 (13608)<br>22,850 (10364)<br>18,450 (8369) | 45,000 (20214)<br>34,400 (15603)<br>27,850 (12632) | 80,000 (36287)<br>61,150 (27737)<br>49,500 (22453) | 120,000 (54431)<br>92,000 (41730)<br>75,000 (34019) |
| 30" CG Height   | 8,000 (3629)                                   | 10,000 (4536)                                   | 12,750 (5783)                                    | 15,500 (7031)                                     | 23,400 (10614)                                     | 41,600 (18869)                                     | 63,000 (28576)                                      |
| 36" CG Height   | 6,850 (3107)                                   | 8,550 (3878)                                    | 10,950 (4967)                                    | 13,350 (6055)                                     | 20,150 (9140)                                      | 35,850 (16261)                                     | 54,000 (24494)                                      |
| 42" CG Height   | 6,000 (2721)                                   | 7,500 (3402)                                    | 9,600 (4354)                                     | 12,200 (5534)                                     | 17,700 (8028)                                      | 31,500 (14288)                                     | 48,000 (21772)                                      |
| 48" CG Height   | 5,300 (2404)                                   | 6,650 (3016)                                    | 8,550 (3878)                                     | 10,450 (4740)                                     | 15,800 (7167)                                      | 28,100 (12746)                                     | 42,000 (19051)                                      |
| 54" CG Height   | 4,800 (2177)                                   | 6,000 (2721)                                    | 7,700 (3493)                                     | 9,400 (4264)                                      | 14,250 (6464)                                      | 25,350 (11498)                                     | 38,000 (17236)                                      |
| 60" CG Height   | 4,350 (1973)                                   | 5,450 (2472)                                    | 7,000 (3175)                                     | 8,550 (3878)                                      | 13,000 (5897)                                      | 23,100 (10478)                                     | 35,000 (15876)                                      |
| 72" CG Height   | 3650 (1656)                                    | 4,600 (2086)                                    | 5950 (2699)                                      | 7,250 (3288)                                      | 11,000 (4989)                                      | 19,600 (8890)                                      | 30,000 (13608)                                      |
| <b>Tailstock model</b>  | <b>TS 16</b>                                   | <b>TS 20</b>                                    | <b>TS 25</b>                                     | <b>TS 30</b>                                      | <b>TS 45</b>                                       | <b>TS 80</b>                                       | <b>TS 120</b>                                       |
| <b>Headstock model</b>  | <b>HS 16VF</b>                                 | <b>HS 20VF</b>                                  | <b>HS 25VF</b>                                   | <b>HS 30VF</b>                                    | <b>HS 45VF</b>                                     | <b>HS 80VF</b>                                     | <b>HS 120VF</b>                                     |
| Rotation: Torque, in-lb (N.m)   | 192,000 (21696)                                | 240,000 (27120)                                 | 300,000 (33900)                                  | 360,000 (40680)                                   | 540,000 (61020)                                    | 960,000 (108480)                                   | 1,440,000 (162720)                                  |
| Rotation: Speed Range<br>Motor HP (AC variable frequency)   | 0.60 - 0.012 rpm<br>5                          | 0.50 - 0.010 rpm<br>5                           | 0.40 - 0.008 rpm<br>5                            | 0.50 - 0.010 rpm<br>10                            | 0.50 - 0.010 rpm<br>10                             | 0.40 - 0.008 rpm<br>15                             | 0.40 - 0.008 rpm<br>20                              |
| Pendant cable length  | 20'  | 20'   | 20'  | 20'   | 20'  | 20'  | 20'   |
| Ground current (Amps)   | 2000   | 2000  | 2000   | 3000  | 3000   | 3000   | 3000  |
| A: Rotation centerline height<br>Matching Positioner  | 50" (1270)<br>HD160                            | 50" (1270)<br>HD240                             | 50" (1270)<br>HD240                              | 50" (1270)<br>—                                   | 50" (1270)<br>—                                    | 50" (1270)<br>—                                    | 72" (1829)<br>—                                     |
| B: Table Size (Square)  | 54" (1372)<br>70" (1778)                       | 54" (1372)<br>70" (1778)                        | 60" (1524)<br>77" (1956)                         | 54" (1372)<br>70" (1778)                          | 54" (1372)<br>70" (1778)                           | 54" (1372)<br>70" (1778)                           | 84" (2134)<br>108" (2743)                           |
| C: Max. Clamping Dia.   |  |   |  |   |  |  |   |
| D: No. of slots and width   | (4) 1-1/16" (27)                               | (4) 1-1/16" (27)                                | (4) 1-1/16" (27)                                 | (4) 1-5/16" (33)                                  | (4) 1-5/16" (33)                                   | (4) 1-5/16" (33)                                   | (4) 1-7/8" (48)                                     |
| E: Table Thickness  | 2-1/2" (64)                                    | 2-1/2" (64)                                     | 2-3/4" (70)                                      | 2-3/4" (70)                                       | 3" (76)  | 3" (76)  | 3-1/2" (89)   |
| F: Pilot hole and Depth   | 8.627" x 1"                                    | 8.627" x 1"                                     | 8.627" x 1"                                      | 12.253" x 1"                                      | 12.253" x 1"                                       | 12.253" x 1"                                       | 12.000" x 1-3/4"                                    |
| Thru-hole   | 8-1/2" thru                                    | 8-1/2" thru                                     | 8-1/2" thru                                      | 11-7/8" thru                                      | 11-7/8" thru                                       | 11-7/8" thru                                       | 11-7/8" thru  |
| F: Table nut thread   | 1"-8   | 1"-8  | 1"-8   | 1"-8  | 1.25"-7  | 1"-8   | 1-3/4"-8  |
| Dim G   | 48" (1219)                                     | 48" (1219)                                      | 48" (1219)                                       | 50" (1270)  | 60" (1524)   | 60" (1524)   | 72" (1829)  |
| Dim H   | 48" (1219)                                     | 48" (1219)                                      | 48" (1219)                                       | 52" (1321)  | 65" (1651)   | 65" (1651)   | 80" (2032)  |
| Dim I   | 46" (1168)                                     | 46" (1168)                                      | 46" (1168)                                       | 46" (1168)  | 58" (1473)   | 58" (1473)   | 76" (1930)  |
| Dim J   | 46" (1168)                                     | 46" (1168)                                      | 46" (1168)                                       | 46" (1168)  | 56" (1422)   | 56" (1422)   | 68" (1727)  |
| Dim K   | 1" (25)  | 1" (25)   | 1" (25)  | 2" (51)   | 2" (51)  | 2" (51)  | 2" (51)   |
| Dim L   | 1-1/16" (27)                                   | 1-1/16" (27)                                    | 1-1/16" (27)                                     | 1-5/8" (41)                                       | 2-1/8" (54)  | 2-1/8" (54)  | 2-1/8" (54)   |
| Dim M   | 1-1/2" (38)                                    | 1-1/2" (38)                                     | 1-1/2" (38)                                      | 3/4" (19)   | 1" (25)  | 1" (25)  | 1-1/4" (32)   |
| Dim N   | 2-3/4" (70)                                    | 2-3/4" (70)                                     | 2-3/4" (70)                                      | 2-3/4" (70)                                       | 3-1/2" (89)  | 3-1/2" (89)  | 4" (102)  |
| Dim O   | 50-3/4" (1289)                                 | 50-3/4" (1289)                                  | 50-3/4" (1289)                                   | 52-3/4" (1340)                                    | 63-1/2" (1613)                                     | 63-1/2" (1613)                                     | 74" (1880)  |
| Approx. Weight HS lb (kg)   | 5,100 (2313)                                   | 5,300 (2404)                                    | 5,820 (2640)                                     | 6,000 (2721)                                      | 9,532 (4234)                                       | 10,000 (4536)                                      | 21,850 (9910)                                       |
| Approx. Weight TS lb (kg)   | 4,255 (1930)                                   | 4,255 (1930)                                    | 4,930 (2236)                                     | 5,000 (2268)                                      | 7,891 (3579)                                       | 8,960 (4064)                                       | 19,480 (8836)                                       |
| Standard Voltage  | 460/3/60                                       | 460/3/60  | 460/3/60   | 460/3/60  | 460/3/60   | 460/3/60   | 460/3/60  |



All dimensions are for reference only and subject to change without notice.