

G Series

G400 Thru G2200



The G400-G2200 Positioners are a versatile series with capacities ranging from 40,000 to 220,000 pounds. Design characteristics of these Positioners include powered tilt from 90° forward to 45° backward, fixed height bases and hollow spindles. Larger models designed as “bolt together construction” reducing shipping costs and allowing for easier relocation of machine.

Capacities from 40,000 to 220,000 pounds



Features

- 45/90 powered tilt
- NEMA 12 Electricals
- Fixed Bases
- 90,000 psi aluminum-bronze low efficiency wormgear drive reduces back driving
- All steel welded gearboxes
- Low voltage hand control pendants
- 50:1 Variable speed drives
- AC brake motors



Standard hand pendant provided with all models

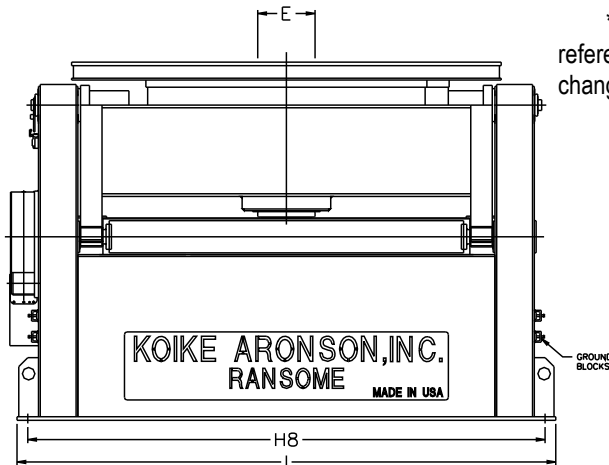


Optional foot switch controls available

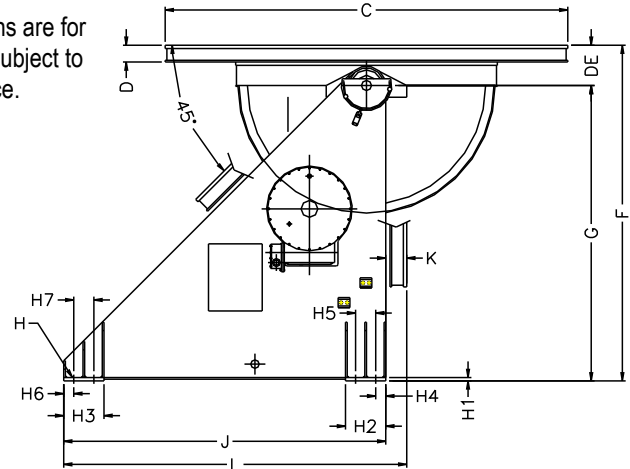
Specifications

G400 - G2200

SPECIFICATIONS	G400	G500	G600	G700	G850	G1200	G2200
Tilt: Load Torque in-lb (N.m)	830,000 (94920)	1,037,000 (118650)	1,260,000 (142380)	1,470,000 (166110)	1,800,000 (203400)	2,880,000 (325440)	5,400,000 (610200)
Rating Lbs.(kg) @ 12" (305mm) CG Height	40,000 (18144)	50,000(22680)	60,000 (27215)	70,000 (31751)	85,000 (38555)	120,000 (54431)	220,000 (99790)
Rating Lbs.(kg) @ 18" (457mm) CG Height	31,000 (14061)	39,000 (17690)	46,500 (21092)	54,500 (24721)	66,111 (30014)	96,000 (43545)	177,000 (80286)
Rating Lbs.(kg) @ 24" (609mm) CG Height	25,000 (11340)	32,000 (14515)	38,000 (17236)	44,500 (20185)	54,100 (24557)	80,000 (36287)	148,000 (67132)
Rating Lbs.(kg) @ 30" (762mm) CG Height	21,500 (9752)	27,000 (12247)	32,000 (14515)	37,500 (17010)	45,770 (20779)	68,600 (31116)	127,000 (57606)
Rating Lbs.(kg) @ 36" (914mm) CG Height	18,500 (8391)	23,400 (10614)	28,000 (12700)	32,500 (14742)	39,667 (18009)	60,000 (27215)	111,000 (50349)
Rating Lbs.(kg) @ 42" (1067mm) CG Height	16,400 (7439)	20,600 (9344)	24,500 (11113)	28,000 (12927)	35,000 (15890)	53,400 (24222)	100,000 (45359)
Rating Lbs.(kg) @ 48" (1219mm) CG Height	14,600 (6622)	18,500 (8391)	22,000 (9979)	25,500 (11567)	31,316 (14217)	48,000 (21772)	89,000 (40370)
Rating Lbs.(kg) @ 54" (1371mm) CG Height	13,200 (5987)	16,700 (7575)	20,000 (9079)	23,000 (10433)	28,333 (12863)	43,600 (19777)	81,000 (36741)
Rating Lbs.(kg) @ 60" (1524mm) CG Height	12,000 (5443)	15,200 (6895)	18,000 (8165)	21,000 (9525)	25,870 (11745)	40,000 (18144)	74,000 (33566)
Rating Lbs.(kg) @ 66" (1676mm) CG Height	11,000 (4989)	14,000 (6350)	16,500 (7484)	19,500 (8845)	23,800 (10805)	37,000 (16783)	69,000 (31298)
Rating Lbs.(kg) @ 72" (1829mm) CG Height	10,200 (4627)	13,000 (5897)	15,500 (7031)	18,000 (8165)	22,037 (10005)	34,200 (15513)	64,000 (29030)
Rotation: Load Torque in-lb (N.m)	480,000 (54240)	600,000 (67800)	720,000 (81360)	840,000 (94920)	1,020,000 (115260)	1,440,000 (162720)	2,640,000 (298320)
Rating Lbs.(kg) @ 12" (305mm) Eccentric	40,000 (18000)	50,000 (22680)	60,000 (27215)	70,000 (31751)	85,000 (38555)	120,000 (54431)	220,000 (99790)
Tilt: 135° in how many seconds	96 Sec.	135 Sec.	133 Sec.	135 Sec.	155 Sec.	156 Sec.	150 Sec.
Tilt Motor Horse Power	7-½ HP	10 HP	10 HP	10 HP	15 HP	20 HP	25 HP
Rotation: Speed Range 50:1 AC Drive	.50 - .01 rpm 10 HP	.50 - .01 rpm 10 HP	.48 - .010 rpm 15 HP	.48 - .010 rpm 20 HP	.50 - .001 rpm 20 HP	.40 - .008 rpm 25 HP	.35 - .007 rpm 30 HP
Pendant cable length:	20 ft.	20 ft.	20 ft.	20 ft.	20 ft.	20 ft.	20 ft.
C: Table Size	84" x 84" (2134 x 2134mm)	84" x 84" (2134 x 2134mm)	96" x 96" (2438 x 2438mm)	96" x 96" (2438 x 2438mm)	96" x 96" (2438 x 2438mm)	20" x 120" (3048 x 3048mm)	120" x 120" (3048 x 3048mm)
CW: Maximum Clamping Diameter	113" (2870mm)	113" (2870mm)	126" (3200mm)	126" (3200mm)	126" (3200mm)	160" (4064mm)	157" (3988mm)
CX: Number of slots and width	(4) 1-5/16" (33.3mm)	(4) 1-5/16" (33.3mm)	(8) 1-5/8" (41.3mm)	(8) 1-5/8" (41.3mm)	(8) 1-5/8" (41.3mm)	(8) 1-7/8" (47.6mm)	(8) 2-1/8" (56mm)
D: Table Thickness	2 ½" (69.8mm)	2 ½" (69.8mm)	3" (76.2mm)	3" (76.2mm)	3" (76.2mm)	5" (127mm)	5" (127mm)
E: Pilot hole and depth	12.30"x 1-¼" (312.4x31.7mm)	12.30"x 1-¼" (312.4x31.7mm)	12.30"x 1-¼" (312.4x31.7mm)	12.30"x 1-¼" (312.4x31.7mm)	12.255"x 1" (311.3x25.4mm)	18.200"x 3" (462.3x76.2mm)	18.250"x 3" (460.4x76.2mm)
DE: Inherent Overhang	8-¾" (222.2mm)	8-¾" (222.2mm)	9" (228.6mm)	9" (228.6mm)	9" (228.6mm)	12" (304.8mm)	12-½" (317.5mm)
Spindle OD Bearing Bore	14" (355.6mm)	14" (355.6mm)	14" (355.6mm)	14" (355.6mm)	14" (355.6mm)	14" (355.6mm)	18" (457.2mm)
Hollow Spindle Dia	11-7/8" (301mm)	11-7/8" (301mm)	11-7/8" (301mm)	11-7/8" (301mm)	11-7/8" (301mm)	11-7/8" (301mm)	18" (457.2mm)
Weld Current Conduction	3,000 Amps	3,000 Amps	3,000 Amps	3,000 Amps	3,000 Amps	3,000 Amps	
F: Table flat, Height	80-3/4" (2051mm)	80-3/4" (2051mm)	81" (2057mm)	81" (2057mm)	94" (2387.6mm)	100" (2540mm)	102-½" (2552.7mm)
G: Rotation axis, Height	72" (1828.8mm)	72" (1828.8mm)	72" (1828.8mm)	72" (1828.8mm)	85" (2159mm)	88" (2235.2mm)	88" (2235.2mm)
H: Tie down hole size	(8) 2-1/8" (54mm)	(8) 2-1/8" (54mm)	(8) 2-1/8" (54mm)	(8) 2-1/8" (54mm)	(8) 2-1/8" (54mm)	(8) 2-1/8" (54mm)	(8) 2-1/8" (54mm)
H1: Mounting Plate Thickness	1" (25.4mm)	1" (25.4mm)	1" (25.4mm)	1" (25.4mm)	1" (25.4mm)	1" (25.4mm)	1-½" (38.1mm)
H2: Mounting Plate Front	12" (304.8mm)	12" (304.8mm)	12" (304.8mm)	12" (304.8mm)	12" (304.8mm)	12" (304.8mm)	12" (304.8mm)
H3: Mounting Plate Rear	12" (304.8mm)	12" (304.8mm)	12" (304.8mm)	12" (304.8mm)	12" (304.8mm)	12" (304.8mm)	12" (304.8mm)
H4: Mounting Hole Dimension	3" (76.2mm)	3" (76.2mm)	3" (76.2mm)	3" (76.2mm)	3" (76.2mm)	3" (76.2mm)	3" (76.2mm)
H5: Mounting Hole Dimension	6" (152.4mm)	6" (152.4mm)	6" (152.4mm)	6" (152.4mm)	6" (152.4mm)	6" (152.4mm)	6" (152.4mm)
H6: Mounting Hole Dimension	3" (76.2mm)	3" (76.2mm)	3" (76.2mm)	3" (76.2mm)	3" (76.2mm)	3" (76.2mm)	3" (76.2mm)
H7: Mounting Hole Dimension	6" (152.4mm)	6" (152.4mm)	6" (152.4mm)	6" (152.4mm)	6" (152.4mm)	6" (152.4mm)	6" (152.4mm)
H8: Mounting Hole Dimension	108-¾" (2762.2mm)	108-¾" (2762.2mm)	111-¾" (2838.4mm)	111-¾" (2838.4mm)	140-½" (3568.7mm)	144-½" (3670.3mm)	166-½" (4229.1mm)
I: BASE, Width Overall	114-¾" (2914.6mm)	114-¾" (2914.6mm)	117-¾" (2990.8mm)	117-¾" (2990.8mm)	146-½" (3721.1mm)	150-½" (3822.7mm)	172-½" (4381.5mm)
J: BASE, Length Overall	72" (1828.8mm)	72" (1828.8mm)	72" (1828.8mm)	72" (1828.8mm)	92" (2336.8mm)	96" (2438.4mm)	96" (2438.4mm)
K: Table Face Overhang	4" (101.6mm)	4" (101.6mm)	4" (101.6mm)	4" (101.6mm)	4" (101.6mm)	6" (152.4mm)	6" (152.4mm)
L: Length Overall	76" (1930.4mm)	76" (1930.4mm)	76" (1930.4mm)	76" (1930.4mm)	96" (2438.4mm)	102" (2590.8mm)	102" (2590.8mm)
Standard Primary Voltage	460/3/60	460/3/60	460/3/60	460/3/60	460/3/60	460/3/60	460/3/60
Shipping Weight	15,500 lbs. (7031kg)	15,700 lbs. (7121kg)	17,000 lbs. (7711kg)	17,200 lbs. (7711kg)	24,000 lbs. (10886kg)	43,500 lbs. (19731kg)	



***All dimensions are for reference only and subject to change without notice.

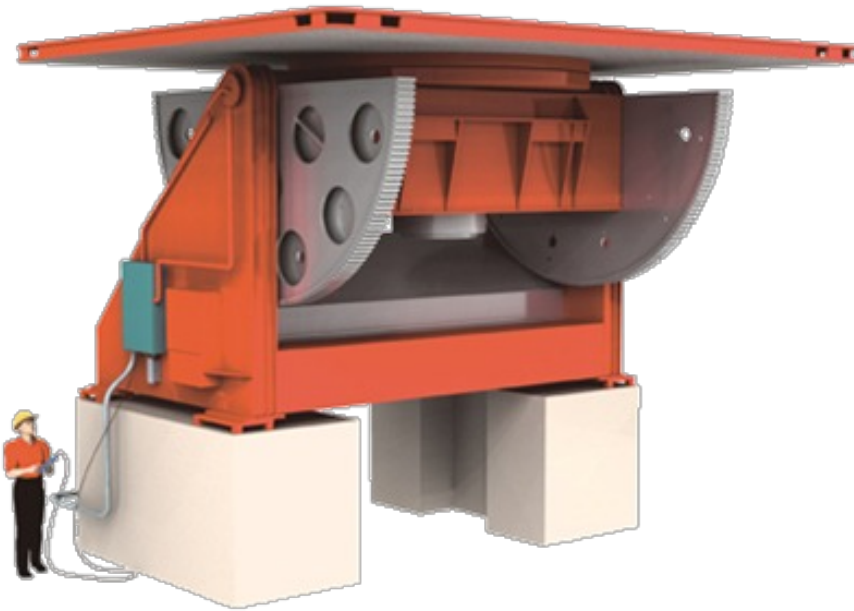


 Koike Aronson Inc.

P.O. Box 307, Arcade, New York 14009
 Phone (585) 492-2400 Fax (585) 457-3517
www.koike.com

G Series

G3500 Thru G10,000



The G3500 - G10,000 Positioner line are some of the largest standard gear driven Positioners in the world. These heavy-weight Positioners make it both economical and practical to machine, weld and assemble massive structures safely. Their capacities range up to 1,000,000 pounds; however these Positioners are very compact and can be transported within the workplace. This series is capable of withstanding the stress of the heaviest payloads and industrial applications, while providing many years of dependable service.

**Capacities from
350,000 to 1,000,000 pounds**

Features

- 45/90 powered tilt
- NEMA 12 Electricals
- Fixed Bases
- 90,000 psi aluminum-bronze low efficiency wormgear drive reduces back driving
- All steel welded gearboxes
- Low voltage hand control pendants
- 50:1 Variable speed drives
- AC brake motors



Standard hand pendant provided with all models

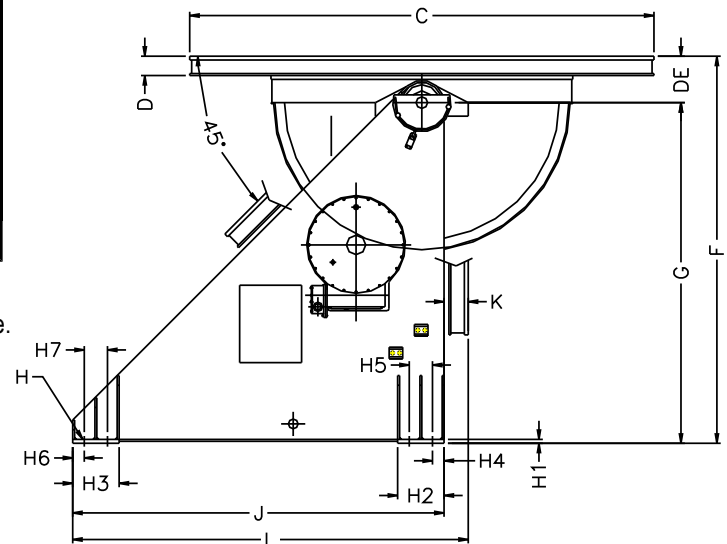
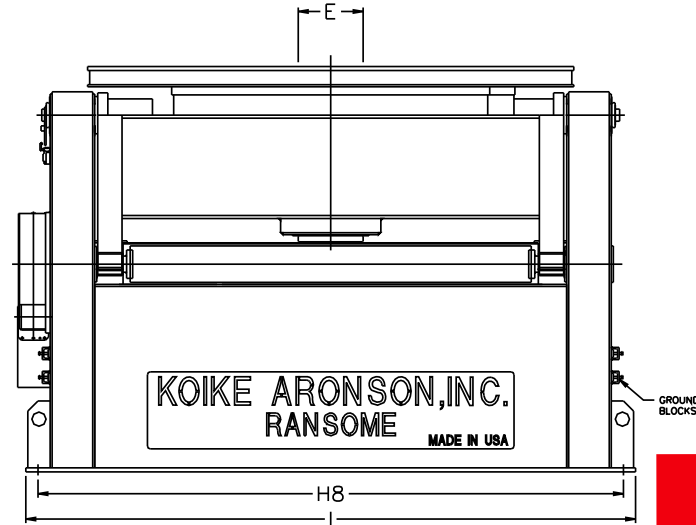


Optional foot switch controls available

Specifications

G3500 - G10,000

SPECIFICATIONS	G3500	G7000	G1000
Tilt: Load Torque in-lb (N.m)	9,300,000 (1050900)	8,600,000 (2101800)	32,000,000 (3616000)
Rating Lbs.(kg) @ 12" (305mm) CG Height	350,000 (158757)	700,000 (317515)	1,000,000 (453592)
Rating Lbs.(kg) @ 18" (457mm) CG Height	286,000 (129727)	570,000 (258548)	890,000 (403697)
Rating Lbs.(kg) @ 24" (609mm) CG Height	240,000 (108862)	480,000 (217724)	760,000 (344730)
Rating Lbs.(kg) @ 30" (762mm) CG Height	210,000 (95254)	420,000 (190509)	665,000 (301639)
Rating Lbs.(kg) @ 36" (914mm) CG Height	184,000 (83461)	368,000 (166922)	590,000 (267619)
Rating Lbs.(kg) @ 42" (1067mm) CG Height	160,000 (72575)	320,000 (145149)	540,000 (244940)
Rating Lbs.(kg) @ 48" (1219mm) CG Height	145,000 (65771)	290,000 (131542)	485,000 (219992)
Rating Lbs.(kg) @ 54" (1371mm) CG Height	135,000 (61235)	270,000 (122470)	440,000 (199581)
Rating Lbs.(kg) @ 60" (1524mm) CG Height	125,000 (56699)	250,000 (113398)	410,000 (185973)
Rating Lbs.(kg) @ 66" (1676mm) CG Height	115,000 (52163)	230,000 (104326)	380,000 (172365)
Rating Lbs.(kg) @ 72" (1829mm) CG Height	107,000 (48534)	214,000 (97069)	335,000 (151953)
Rotation: Load Torque in-lb (N.m)	2,640,000 (298320)	5,000,000 (565000)	5,000,000 (565000)
Rating Lbs.(kg) @ 12" (305mm) Eccentric	220,000 (99790)	416,600 (188966)	416,600 (188966)
Tilt: 135° in how many seconds	300Sec.	450 Sec.	500 Sec.
Tilt Motor Horse Power	25 HP	60 HP	100 HP
Rotation: Speed Range 50:1 AC Drive	.35 - .007 rpm 40 HP	.30 - .006 rpm 100 HP	.30 - .006 rpm 100 HP
Pendant cable length:	20 ft.	20 ft.	20 ft.
C: Table Size	120" x 120" (3048 x 3048mm)	144" x 144" (3658 x 3658mm)	240" x 240" (6096 x 6096mm)
CW: Maximum Clamping Diameter	157" (3988mm)	190" (4826mm)	336" (3988mm)
CX: Number of slots and width Number of Table nuts and Thread	(8) 2-1/8" (54mm) (8) 2"-8	(8) 2-1/8" (54mm) (8) 2"-8	(4) 3-1/8" (79.4mm) (12) 3"-4
D: Table Thickness	5" (127mm)	5" (127mm)	8" (203.2mm)
E: Pilot hole and depth	18.250"x 3" (463.5x76.2mm)	18.250"x 3" (463.5x76.2mm)	20.145"x 3" (511.7x76.2mm)
DE: Inherent Overhang	14-1/2" (368.3mm)	13" (330.2mm)	18" (457.2mm)
Spindle OD Bearing Bore	20" (508mm)	118" (2997.2mm)	116" (2946.4mm)
Hollow Spindle Dia	18" (355.6mm)	Slew Ring	Slew Ring
Weld Current Conduction	3,000 Amps	3,000 Amps	4,000 Amps
F: Table flat, Height	102-1/2" (2603.5mm)	118" (2997mm)	156" (3962mm)
G: Rotation axis, Height	88" (2235.2mm)	104" (2641mm)	138" (3505mm)
H: Tie down hole size	(8) 2-1/8" (54mm)	(8) 2-1/8" (54mm)	(8) 2-1/8" (54mm)
H1: Mounting Plate Thickness	2" (50.8mm)	2" (50.8mm)	2" (50.8mm)
H2: Mounting Plate Front	24" (609.6mm)	18" (547.2mm)	48" (1219.2mm)
H3: Mounting Plate Rear	12" (304.8mm)	18" (547.2mm)	24" (609.6mm)
H4: Mounting Hole Dimension	4-1/2" (114.3mm)	3" (76.2mm)	3" (76.2mm)
H5: Mounting Hole Dimension	8" (203.2mm)	12" (304.8mm)	5" (127mm)
H6: Mounting Hole Dimension	3" (76.2mm)	3" (76.2mm)	3" (76.2mm)
H7: Mounting Hole Dimension	6" (152.4mm)	6" (152.4mm)	5" (127mm)
H8: Mounting Hole Dimension	170" (4318mm)	222" (5638.8mm)	218" (5537.2mm)
I: BASE, Width Overall	176" (4470.4mm)	228" (5791.2mm)	223" (5664.2mm)
J: BASE, Length Overall	102" (2590.8mm)	97" (2463.8mm)	144" (3657.6mm)
K: Table Face Overhang	6" (152.4mm)	6" (152.4mm)	9" (228.6mm)
L: Length Overall	108" (2743.2mm)	103" (2616.2mm)	153" (3886.2mm)
Standard Primary Voltage	460/3/60	460/3/60	460/3/60
Shipping Weight	47,500lbs. (21546kg)	81,000 lbs. (36741kg)	170,000 lbs. (77111kg)



***All dimensions are for reference only and subject to change without notice.

 Koike Aronson Inc.

P.O. Box 307, Arcade, New York 14009
 Phone (585) 492-2400 Fax (585) 457-3517
www.koike.com