

TR Series

Outboard Support Stands PTR-1000, PTR-5000, PTR-10,000



Weight capacity of 1000 lb, 5000 lb and 10,000 lb adjustable for diameters from 2 in to 48 in, with polyurethane wheels 8 inches in diameter. Roller assembly is mounted on screw adjusted stand for use as outboard support with Positioner or Headstock. Vertical adjustment of 8 in provides infinite height settings by means of Acme screw and nut.

**Capacities of 1,000 lb, 5,000 lb
and 10,000 lb**



KOIKE ARONSON, INC. / RANSOME

Features

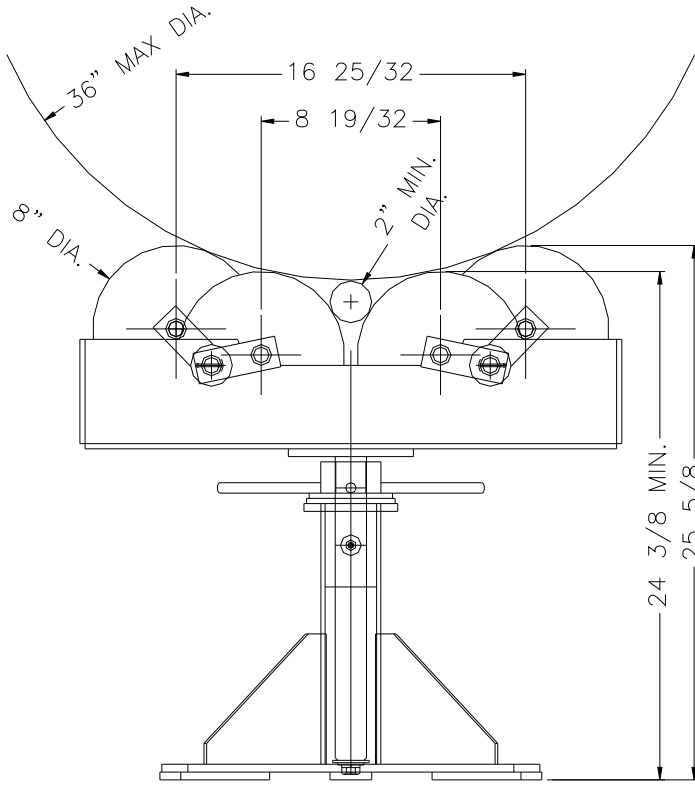
- Polyurethane Wheels
- 2 in - 48 in Diameter range
- 8 in Screw adjusted Height



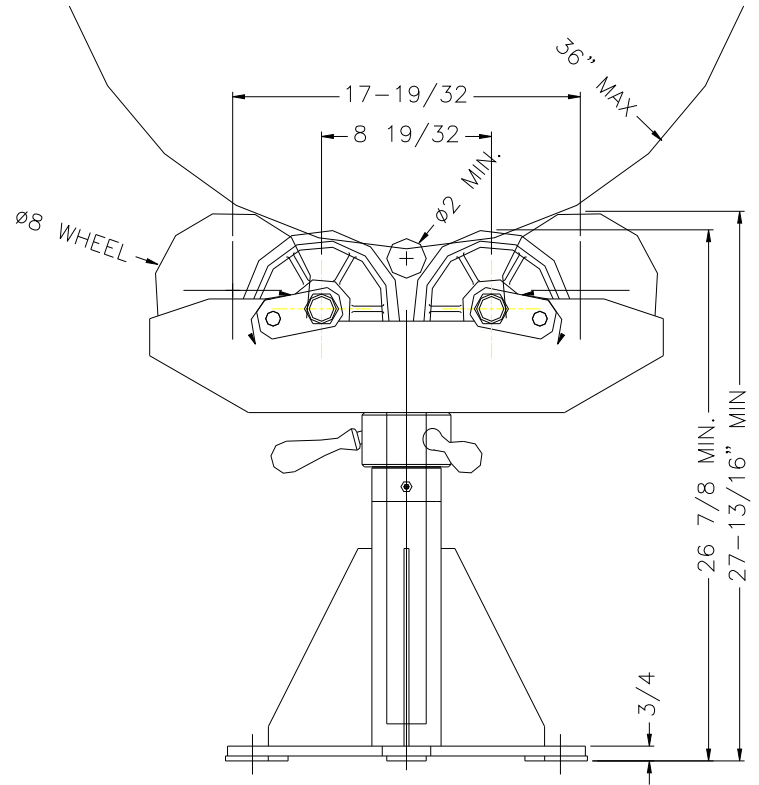
PTR 10,000

Specifications

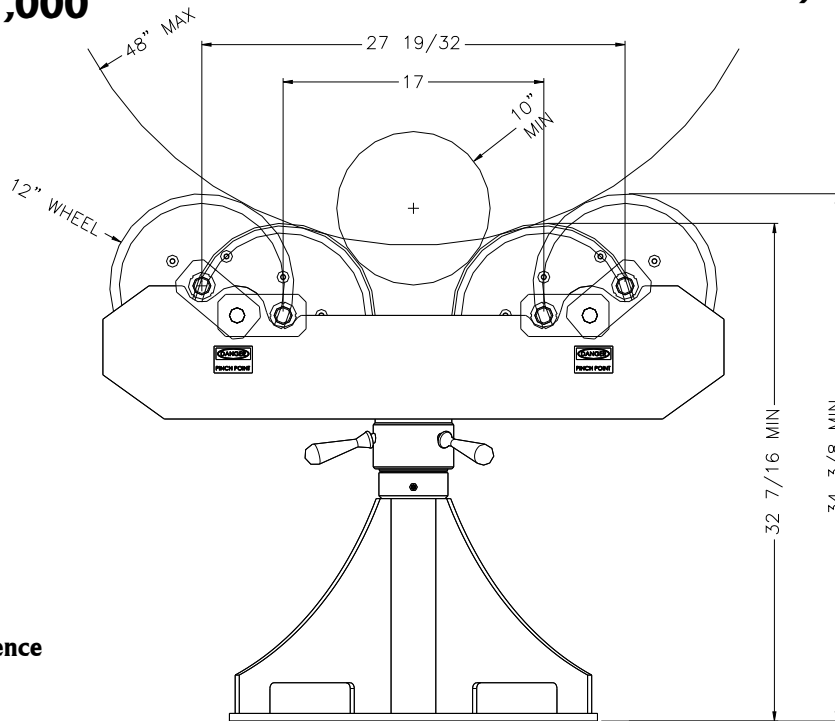
PTR Stands



PTR 1,000



PTR 5,000



PTR 10,000

All dimensions are for reference only and subject to change without notice.

 Koike Aronson Inc.

P.O. Box 307, Arcade, New York 14009
Phone (585) 492-2400 Fax (585) 457-3517
www.koike.com