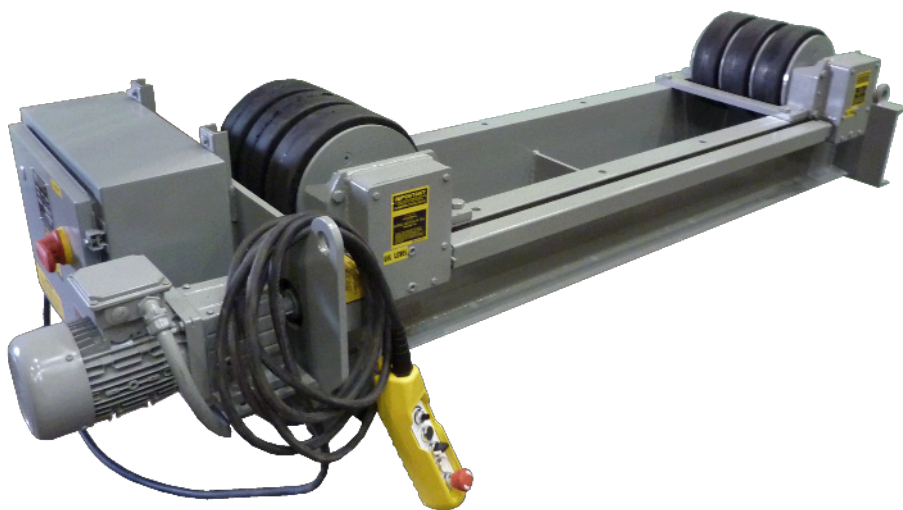


# AR Series

## 5 Ton to 20 Ton capability



This light weight series has been engineered for the effective positioning of long cylindrical work-pieces. Tanks, pressure vessels, and pipe are all well suited applications to utilize turning rolls. Long objects that are not cylindrical may be adapted with the aid of custom designed support rings.

The Aronson design incorporates overload discs on each wheel that prevent excessive loads from damaging the tires. Along with superior performance capabilities, Koike Aronson, Inc. turning rolls are extremely durable and utilize the strongest worm gears, welded gearboxes, and chassis components.

**Capacities from 10,000 lb to 60,000 lb**

## Features

- Rubber or Steel Wheels
- NEMA 12 Electricals
- Wide diameter range capability
- Overload disc with tie-rod wheel construction
- Low voltage hand control pendants
- 50:1 Variable speed drives
- AC brake motors



**Standard hand pendant provided with all models**



**Optional foot switch controls available**

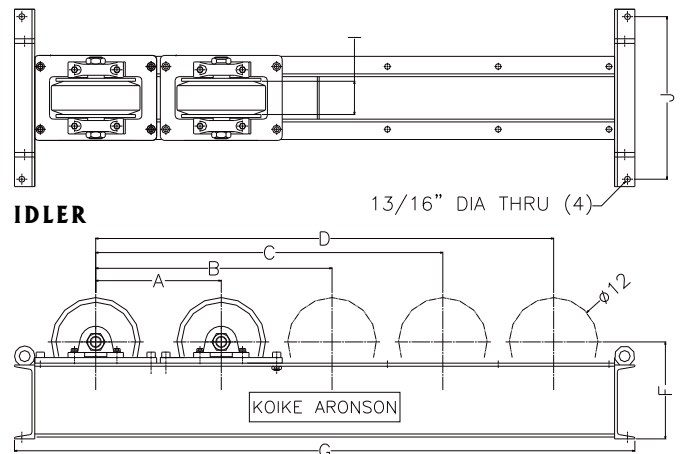
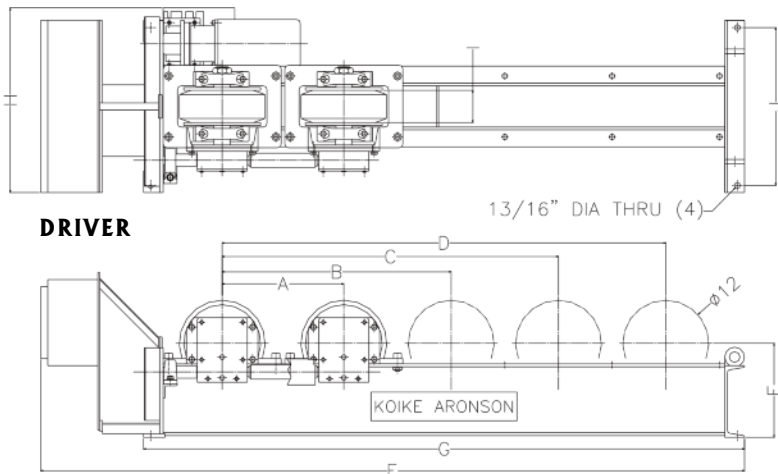
# Specifications

## WRD 5 to WRD 20 (Aronson Design)

MODEL	WRD 5 / WRI 5	WRD 10 / WRI 10	WRD 15 / WRI 15	WRD 20 / WRI 20
Capacity Per Unit	5,000 lb (2 ½ ton)	10,000 lb (5 ton)	15,000 lb (7 ½ ton)	20,000 lb (10 ton)
Capacity Driver / 1 Idler	10,000 lb (5 ton)	20,000 lb (10 ton)	30,000 lb (15 ton)	40,000 lb (20 ton)
Capacity Driver / 2 Idler	15,000 lb (7 ½ ton)	30,000 lb (15 ton)	45,000 lb (22 ½ ton)	60,000 lb (30 ton)
Std. Dia. Range	6" - 13'	6" - 13'	6" - 13'	6" - 13'
Speed Range, IPM	50 - 2.0 ipm 1/2 Hp	50 - 1.0 ipm 0.6 Hp	50 - 1.0 ipm 1 Hp	50 - 1.0 ipm 1.23 Hp
Tractive Pull (lb)	1,200 lb	1,800 lb	2,400 lb	3,000 lb
Wheel Diameter	12"	12"	12"	12"
Dim 'A' Center Distance Diameter Range	17" 6 - 36" Dia. Range	17" 6 - 36" Dia. Range	17" 6 - 36" Dia. Range	17" 6 - 36" Dia. Range
Dim 'B' Center Distance Diameter Range	32" 30 - 72" Dia. Range	32" 30 - 72" Dia. Range	32" 30 - 72" Dia. Range	32" 30 - 72" Dia. Range
Dim 'C' Center Distance Diameter Range	47" 66 - 120" Dia. Range	47" 66 - 120" Dia. Range	47" 66 - 120" Dia. Range	47" 66 - 120" Dia. Range
Dim 'D' Center Distance Diameter Range	62" 108 - 156" Dia Range	62" 108 - 156" Dia Range	62" 108 - 156" Dia Range	62" 108 - 156" Dia Range
Dim E	98 ¾"	98 ¾"	99 ½"	97 ¼"
Dim F	13 ⅞"	13 ⅞"	13 ⅞"	13 ⅞"
Dim G	84"	84"	84"	84"
*Dim H	25 ¾"	25 ¾"	29 7/8"	35 ¾"
Dim I (Rubber Width) # of tires/ axle(s)	4" 1	4 ½" 1	8.4" 2	12 ¾" 3
Dim I (Steel Width)	4"	4"	4 ½"	4 ¾"
*Dim J	22"	22"	26 ¾"	26 ¾"
Dim K	84"	84"	84"	84"
Dim L	24"	24"	28 ¾"	28 ¾"
Approx. Weight Driver	900 lb	1,149 lb	1,285 lb	1,400 lb
Approx. Weight Idler	450 lb	500 lb	800 lb	950 lb
Standard Voltage	115/1/60	460/3/60	460/3/60	460/3/60

All dimensions are for reference only and subject to change without notice.

\*Dimensions for rubber tires only, consult factory for steel roll dimension.



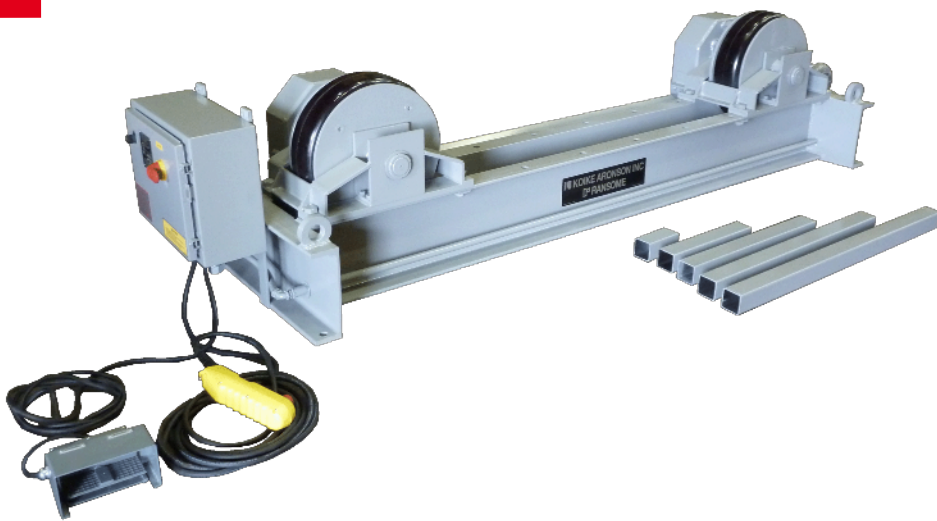
 Koike Aronson Inc.

P.O. Box 307, Arcade, New York 14009  
Phone (585) 492-2400 Fax (585) 457-3517

[www.koike.com](http://www.koike.com)

# AR Series

## 30 Ton to 200 Ton capability



This medium range series has been engineered for the effective positioning of long cylindrical work-pieces. Tanks, pressure vessels, and pipe are all well suited applications to utilize turning rolls. Long objects that are not cylindrical may be adapted with the aid of custom designed support rings.

The Aronson design incorporates overload discs on each wheel that prevent excessive loads from damaging the tires. Along with superior performance capabilities, Koike Aronson, Inc. turning rolls are extremely durable and utilize the strongest worm gears, welded gearboxes, and chassis components.

**Capacities from 60,000 lb to 400,000 lb**

## Features

- Rubber or Steel Wheels
- NEMA 12 Electricals
- Wide diameter range capability
- Overload disc with tie-rod wheel construction
- Low voltage hand control pendants
- 50:1 Variable speed drives
- AC brake motors



**Standard hand pendant provided with all models**



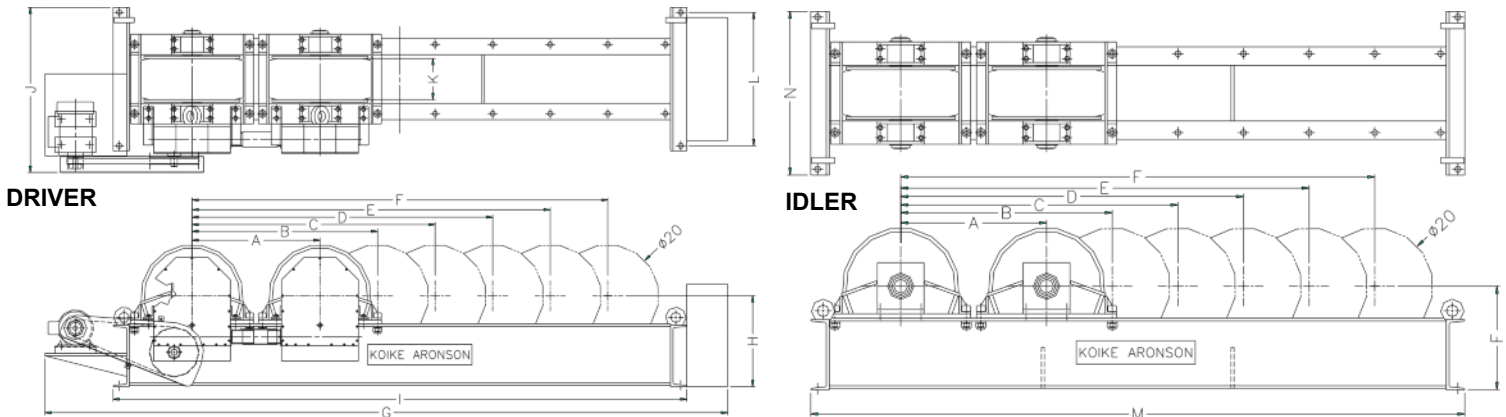
**Optional foot switch controls available**

# Specifications

## WRD 30 to WRD 200 (Aronson Design)

MODEL	WRD 30 / WRI 30	WRD 40 / WRI 40	WRD 60 / WRI 60	WRD 80 / WRI 80	WRD 90 / WRI 90	WRD 120 / WRI 120	WRD 160 / WRI 160	WRD 200 / WRI 200
Capacity Per Unit	30,000 lb (15 ton)	40,000 lb (20 ton)	60,000 lb (30 ton)	80,000 lb (40 ton)	90,000 lb (45 ton)	120,000 lb (60 ton)	160,000 lb (80 ton)	200,000 lb (100 ton)
Capacity Driver / 1 Idler	60,000 lb (30 ton)	80,000 lb (40 ton)	120,000 lb (60 ton)	160,000 lb (80 ton)	180,000 lb (90 ton)	240,000 lb (120 ton)	320,000 lb (160 ton)	400,000 lb (200 ton)
Capacity Driver / 2 Idler	90,000 lb (45 ton)	120,000 lb (60 ton)	180,000 lb (90 ton)	240,000 lb (120 ton)	270,000 lb (135 ton)	320,000 lb (160 ton)	360,000 lb (180 ton)	400,000 lb (200 ton)
Dia. Range	8" - 18'	8" - 18'	8" - 18'	8" - 18'	8" - 18'	8" - 18'	8" - 18'	8" - 18'
Speed Range	40 - 0.8 ipm 2 Hp	40 - 0.8 ipm 2 Hp	40 - 0.8 ipm 2 Hp	35 - 0.7 ipm 2 HP	35 - 0.7 ipm 5 Hp	35 - 0.7 ipm 5 Hp	35 - 0.7 ipm 5 Hp	35 - 0.7 ipm 5 Hp
Tractive Pull	6,000 lb	6,000 lb	6,000 lb	7,200 lb	8,000 lb	8,000 lb	16,000 lb	16,000 lb
Wheel Dia.	20"	20"	20"	20"	20"	20"	20"	20"
Dim 'A' Center Diameter	25" 8" - 48" Dia.	25" 8" - 48" Dia.	25" 8" - 48" Dia.	25" 8" - 48" Dia.	25" 8" - 48" Dia.	25" 8" - 48" Dia.	25" 8" - 48" Dia.	25" 8" - 48" Dia.
Dim 'B' Center Diameter	36 1/4" 18" - 72" Dia.	36 1/4" 18" - 72" Dia.	36 1/4" 18" - 72" Dia.	36 1/4" 18" - 72" Dia.	36 1/4" 18" - 72" Dia.	36 1/4" 18" - 72" Dia.	36 1/4" 18" - 72" Dia.	36 1/4" 18" - 72" Dia.
Dim 'C' Center Diameter	47 1/2" 48" - 108" Dia.	47 1/2" 48" - 108" Dia.	47 1/2" 48" - 108" Dia.	47 1/2" 48" - 108" Dia.	47 1/2" 48" - 108" Dia.	47 1/2" 48" - 108" Dia.	47 1/2" 48" - 108" Dia.	47 1/2" 48" - 108" Dia.
Dim 'D' Center Diameter	58 3/4" 60" - 132" Dia.	58 3/4" 60" - 132" Dia.	58 3/4" 60" - 132" Dia.	58 3/4" 60" - 132" Dia.	58 3/4" 60" - 132" Dia.	58 3/4" 60" - 132" Dia.	58 3/4" 60" - 132" Dia.	58 3/4" 60" - 132" Dia.
Dim 'E' Center Diameter	70" 84" - 168" Dia.	70" 84" - 168" Dia.	70" 84" - 168" Dia.	70" 84" - 168" Dia.	70" 84" - 168" Dia.	70" 84" - 168" Dia.	70" 84" - 168" Dia.	70" 84" - 168" Dia.
Dim 'F' Center Diameter	81 1/4" 108" - 216" Dia.	81 1/4" 108" - 216" Dia.	81 1/4" 108" - 216" Dia.	81 1/4" 108" - 216" Dia.	81 1/4" 108" - 216" Dia.	81 1/4" 108" - 216" Dia.	81 1/4" 108" - 216" Dia.	81 1/4" 108" - 216" Dia.
Dim G	134"	134"	134"	134"	134"	140"	125 1/4"	128 1/4"
Dim H	17 3/4"	17 3/4"	17 3/4"	17 3/4"	17 3/4"	17 3/4"	17 3/4"	17 3/4"
Dim I	112 3/4"	112 3/4"	112 3/4"	112 3/4"	112 3/4"	113 3/4"	114 1/4"	114 1/4"
*Dim J	32"	34"	38"	40"	48"	54 1/2"	65 1/2"	73 1/2"
Dim K (Rubber) # of tires/axle(s)	7" 1	9" 1	13 1/2" 2	17 1/2" 2	20" 3	26" 3	26" 3	34 1/2" 4
Dim K (Steel Width)	5"	5"	5"	5"	5"	5"	5"	5"
*Dim L	26"	32"	32"	32"	32"	40"	40"	48"
Dim M	112 3/4"	112 3/4"	112 3/4"	112 3/4"	112 3/4"	113 3/4"	114 1/4"	114 1/4"
*Dim N	28"	28"	34"	34"	42"	42"	42"	50"
Weight Driver	2,600 lb	2,800 lb	3,100 lb	3,500 lb	3,500 lb	4,400 lb	5,500 lb	6,500 lb
Weight Idler	1,700 lb	2,100 lb	2,400 lb	2,700 lb	2,700 lb	3,500 lb	4,000 lb	4,500 lb
Std. Voltage	460/3/60	460/3/60	460/3/60	460/3/60	460/3/60	460/3/60	460/3/60	460/3/60

All dimensions are for reference only and subject to change without notice. \*Dimension for rubber tires only, consult factory for steel roll dimension.



 Koike Aronson Inc.

P.O. Box 307, Arcade, New York 14009  
Phone (585) 492-2400 Fax (585) 457-3517  
[www.koike.com](http://www.koike.com)